

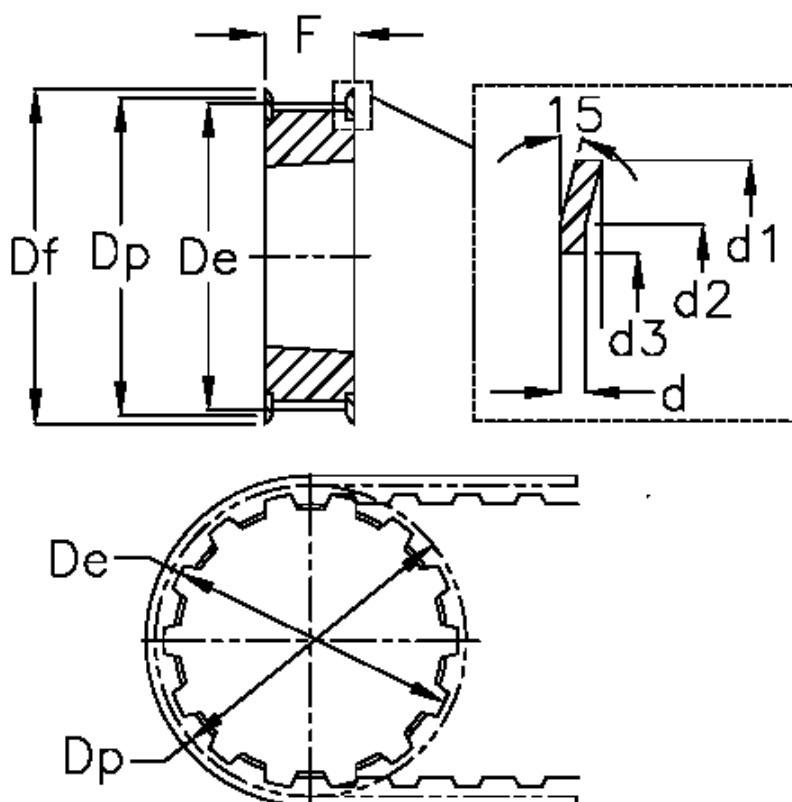
# Data Sheet



Article number: 604130040015

Description: Taper bored timing belt pulley  
HTD 40 5M 15 TL 1108

## Measures



d = 1	Flange type = F26
d1 = 70	For bushing = 1108
d2 = 66.5	Max bore = 25
d3 = 53	S = 22
De = 62.52	Tooth number = 40
Df = 70	Type = 5M
Dp = 63.66	Weight = -
F = 22	Width = 15